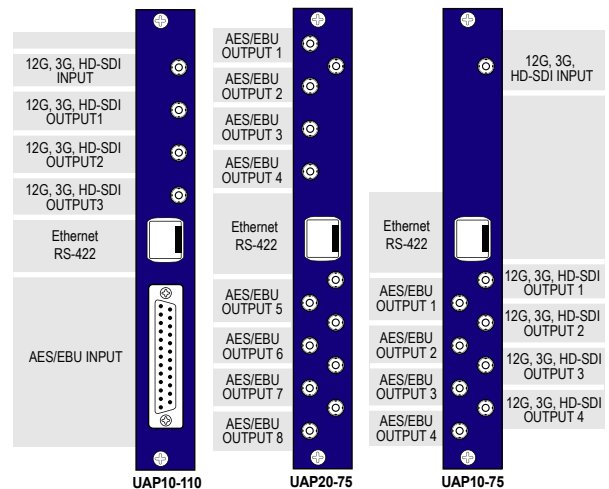


KUDB10
12G, 3G, HD-SDI and 75 Ohm AES/EBU Digital Audio 4 channel De-embedder

Features

- Two Sample interleave(2SI) for 12G-SDI
- Up to 8 AES/EBU output (available with 110 Ohm and 75 Ohm connectors)
- 12G-SDI + deembedded audio output
- Audio level and phase control
- Audio offset delay up to 2600 ms
- Peak detection 0 dBFS
- Silence detection with threshold (-100 to -20dBFS) and time control (1 to 255 sec)
- Lock to SDI input
- Full control, status monitoring through the front panel of the frame and the Ethernet port (ACP)



Specifications

Serial video input

Standard	12G, 3G-SDI and HD-SDI : ST-2082-10, SMPTE425, SMPTE 292M
Number of input	1
Connector	HD-BNC
Equalization	Typical maximum equalized length of 5C cable: 85m at 11.88Gb/s, 200m at 2.97Gb/s, 250m at 1.485Gb/s

Serial video output

Number of output	4
Connector	HD-BNC
Signal level	800mV nominal
DC offset	0V±0.5V
Rise/fall time	<28ps nominal
Overshoot	<10% of amplitude
Return loss	<6dB-6GHz to 12GHz
Wideband jitter	<0.3UI

AES output

Connector	25 pins female sub-D (balanced) or HD-BNC coax (unbalanced)
Standard	AES-1992 for balanced synchronous or asynchronous PCM/AES, SMPTE 276M for single ended synchronous or asynchronous PCM/AES
Number of output	4 or 4
Sampling rate	32 kHz to 96 kHz asynchronous 48 kHz Synchronous (SRC=off)
Resolution	24 bit
Minimum input/output delay	2 ms
Impedance	110 Ohm or 75 Ohm
Level	0.2V to 1V nom for Coax, 2V to 7V for balanced operation

Miscellaneous

Weight	250g
Operating	0°C to +50°C
Dimensions	137 x 296 x 20 mm(HxWxD)

Electrical

Voltage	+24V to +30V
---------	--------------