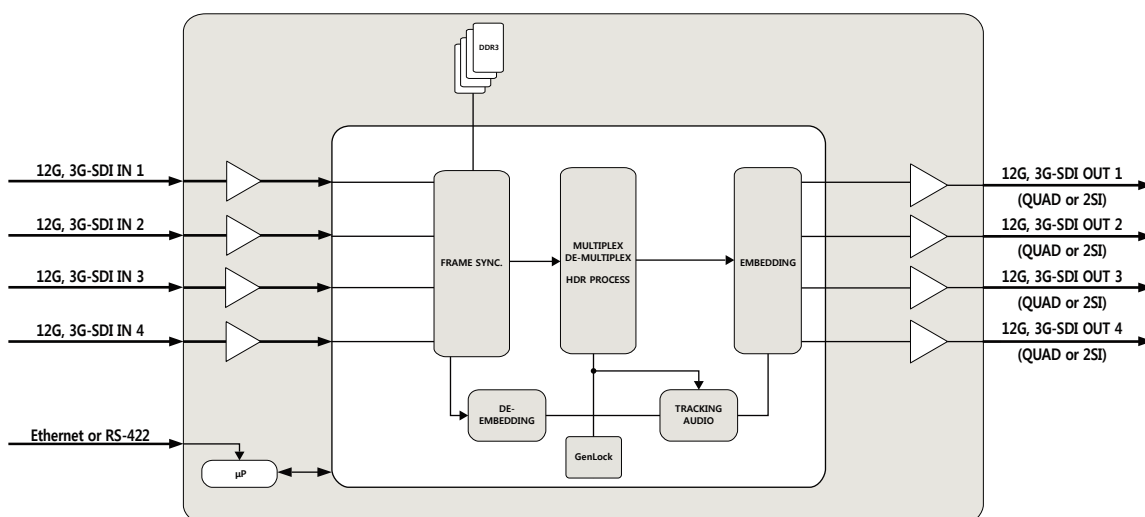
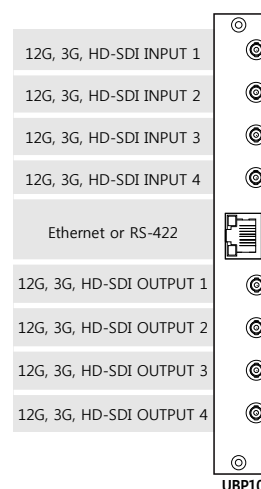


## KUGM404 12G-SDI Gear Box Multiplex & De-Multiplex



### Feature & Function

- 3G-SDI(Quad Link) input
- Compatible with 1080p59.94 or 1080p50 input
- 4x3G-SDI(Quad Split) to 12G-SDI
- 4x3G-SDI(2SI) to 12G-SDI
- 12G-SDI(Single Link) input
- Compatible with 2160p59.94 or 2160p50 input
- 12G-SDI to 4x3G-SDI(Quad Split)
- 12G-SDI to 4x3G-SDI(2SI)
- Low delay (2line@2160p)
- Full control, status monitoring through the front panel of the frame and the Ethernet port (ACP)



SPECIFICATION			
Input	12G/3G/HD-SDI INPUT 1CH	Output	12G/3G/HD-SDI OUTPUT 4CH
<b>Wideband Jitter</b>	< 0.3UI	<b>Signal Level</b>	800mV nominal
<b>Equalization</b>	85m at 11.88Gb/s, 200m at 2.97Gb/s, 250m at 1.485Gb/s (Typical maximum equalized length of 5C cable)	<b>Standard</b>	SMPTE 259M, SMPTE 344M, SMPTE 292M, SMPTE 372M, SMPTE 424M, SMPTE ST-2082
<b>Data Communication</b>	Ethernet or RS-422	<b>Data Format</b>	9600 ~ 15200 baud rate
<b>Ethernet</b>	10/100 base-T	<b>Connector</b>	RJ-45
<b>Dimension</b>	20(H) x 137(W) x 296(D)mm	<b>Weight</b>	250g
<b>Power</b>	+24V to +30V	<b>Consumption</b>	12 Watts