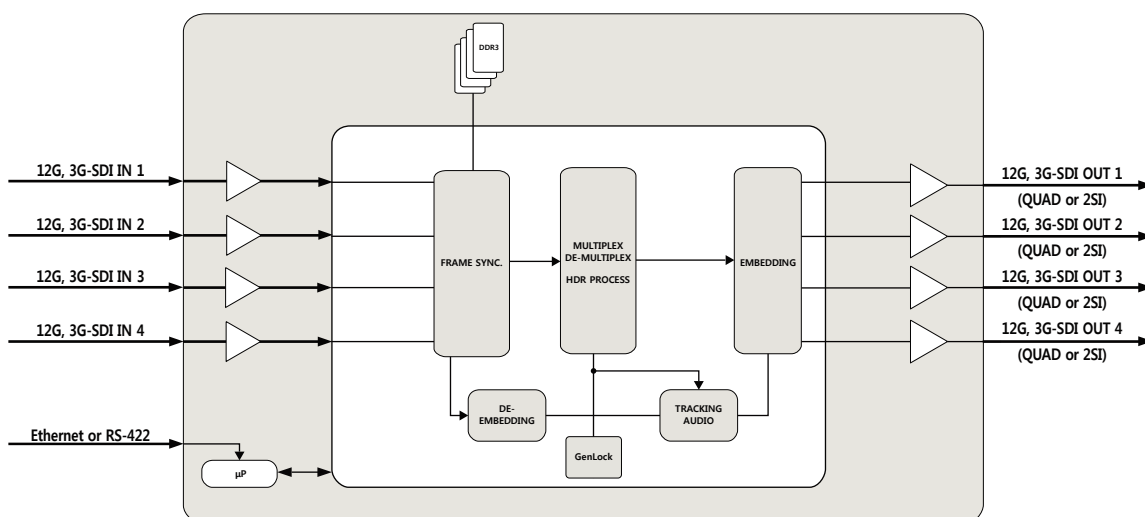
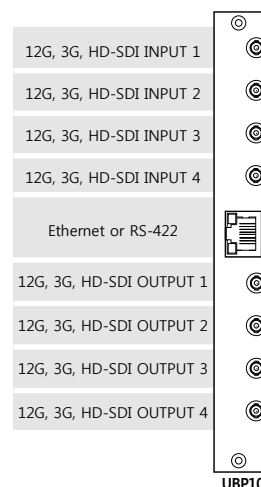


KUGB404 12G-SDI Gear Box Multiplex & De-Multiplex



Feature & Function

- 3G-SDI(Quad Link) input
- Compatible with 1080p59.94 or 1080p50 input
- 4x3G-SDI(Quad Split) to 12G-SDI
- 4x3G-SDI(2SI) to 12G-SDI
- 12G-SDI(Single Link) input
- Compatible with 2160p59.94 or 2160p50 input
- 12G-SDI to 4x3G-SDI(Quad Split)
- 12G-SDI to 4x3G-SDI(2SI)
- Low delay (2line@2160p)
- Full control, status monitoring through the front panel of the frame and the Ethernet port (ACP)



SPECIFICATION			
Input	12G/3G/HD-SDI INPUT 1CH	Output	12G/3G/HD-SDI OUTPUT 4CH
Wideband Jitter	< 0.3UI	Signal Level	800mV nominal
Equalization	85m at 11.88Gb/s, 200m at 2.97Gb/s, 250m at 1.485Gb/s (Typical maximum equalized length of 5C cable)	Standard	SMPTE 259M, SMPTE 344M, SMPTE 292M, SMPTE 372M, SMPTE 424M, SMPTE ST-2082
Data Communication	Ethernet or RS-422	Data Format	9600 ~ 15200 baud rate
Ethernet	10/100 base-T	Connector	RJ-45
Dimension	20(H) x 137(W) x 296(D)mm	Weight	250g
Power	+24V to +30V	Consumption	12 Watts