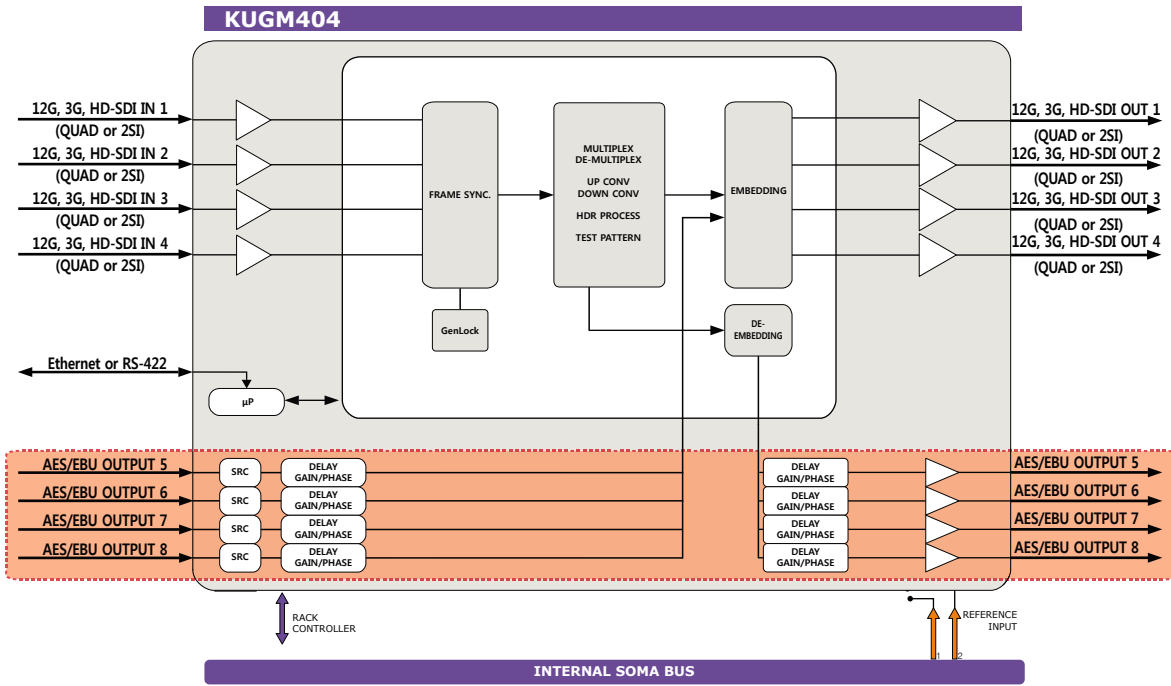


- UHD 4K
- SMPTE 2082-10
- Two sample Interleave
- 12Gb/s
- AES/EBU



KUGM404
12G, 3G, HD-SDI Cross Converter

Features

- 12G,3G,HD-SDI 4 Inputs
- 12G,3G,HD-SDI 4 Outputs : Cross Converting
- Audio Embedder & De-Embedder
- Gear Box MUX & De-MUX
- SDI Up & Down Converting
- Frame Sync & Test Generator
- HDR Function (Optional : Change Software)
- Full control, status monitoring through the front panel of the frame and the Ethernet port (ACP)

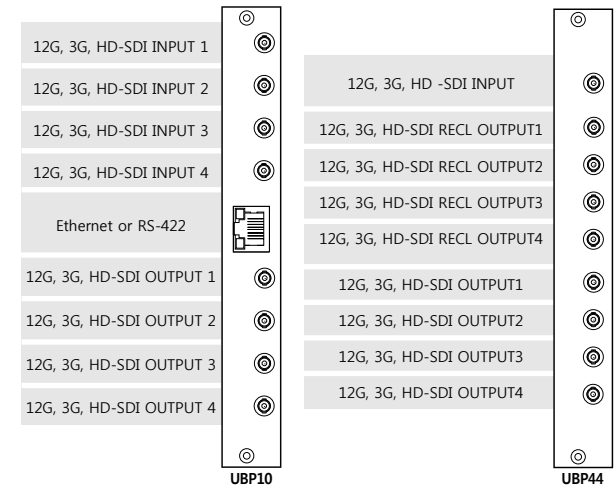
Specifications

Serial video input

| | |
|-----------------|--|
| Standard | 12G, 3G-SDI and HD-SDI : ST-2082-10, SMPTE425, SMPTE 292M |
| Number of input | 4 |
| Connector | HD-BNC |
| Equalization | Typical maximum equalized length of 5C cable: 85m at 11.88Gb/s, 200m at 2.97Gb/s, 250m at 1.485Gb/s |

Serial video output

| | |
|------------------|--------------------|
| Number of output | 4 |
| Connector | HD-BNC |
| Signal level | 800mV nominal |
| DC offset | 0V±0.5V |
| Rise/fall time | <28ps nominal |
| Overshoot | <10% of amplitude |
| Return loss | <6dB-6GHz to 12GHz |
| Wideband jitter | <0.3UI |



AES output

| | |
|----------------------------|--|
| Connector | 8 AES-EBU unbalanced (HD-BNC 75Ω) or 8 AES-EBU balanced (Terminal Block 110Ω) |
| Standard | AES-1992 for balanced synchronous or asynchronous PCM/AES, SMPTE 276M for single ended synchronous or asynchronous PCM/AES |
| Number of output | 4 or 4 |
| Sampling rate | 32 kHz to 96 kHz asynchronous 48 kHz Synchronous (SRC=off) |
| Resolution | 24 bit |
| Minimum input/output delay | 2 ms |
| Impedance | 110 Ohm or 75 Ohm |
| Level | 0.2V to 1V nom for Coax, 2V to 7V for balanced operation |

Miscellaneous

| | |
|------------|--------------------------|
| Weight | 250g |
| Operating | 0°C to +50°C |
| Dimensions | 137 x 296 x 20 mm(HxWxD) |

Electrical

| | |
|---------|--------------|
| Voltage | +24V to +30V |
|---------|--------------|